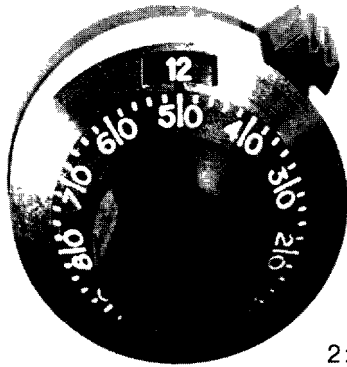


Turns-Counting Dial



2:1

FEATURES

- For use with potentiometers or other rotating devices up to 15 turns
- Excellent legibility. White marking on black background.
- High quality, rugged construction, Aluminum housing; Metal-to-metal setscrew thread
- No backlash — mounted directly to potentiometer shaft
- Primary dial will not rotate when brake is applied.
- Compact
Requires only 23 mm ϕ panel space.
- Standard models available for 6 mm and 1/4" diameter shaft

Standard Part Numbers

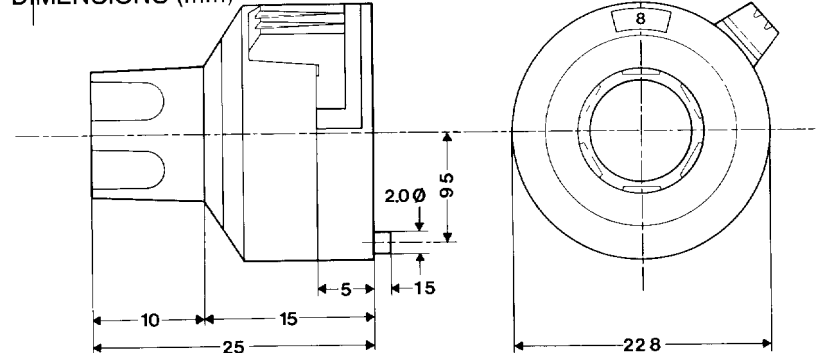
SHAFT ϕ	MODEL
6 mm	H-507-6M
1/4"	H-507-6A

Specifications are subject to change without notice.

Mechanical and Physical Characteristics

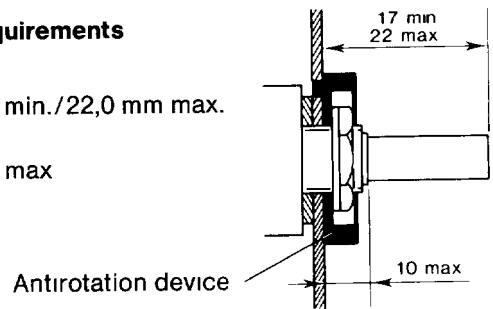
Number of turns	0 to 15
Dial divisions	50 per turn
Readability — Ten turns	2 parts in 1000
Torque — With brake engaged	5.0 Ncm minimum
Weight	10 gr
Markings	white on black background

DIMENSIONS (mm)



Shaft and Bushing Requirements

- Shaft Extension
Beyond Panel: 17,0 mm min./22,0 mm max.
- Bushing Extension
Beyond Panel: 10,0 mm max



Mounting Instructions

1. Drill antirotation hole of 2,0 mm ϕ 9,5 mm vertical below centerline of potentiometer.
2. Insert potentiometer in panel.
3. Install antirotation device supplied with dial. Use standard lockwasher and mounting nut supplied with potentiometer.
4. Turn potentiometer shaft counterclockwise to minimum resistance or voltage ratio. This is not necessarily identical with the mechanical stop.
5. Loosen set screw in knob of dial assembly
Set dial to «0.0» reading
6. While holding outer ring of dial assembly, position unit lightly against panel. Tighten knob set screw to potentiometer shaft with hex wrench

